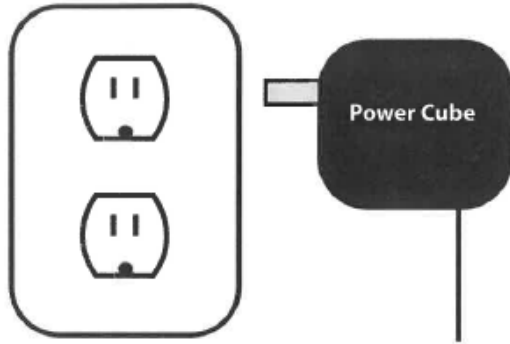
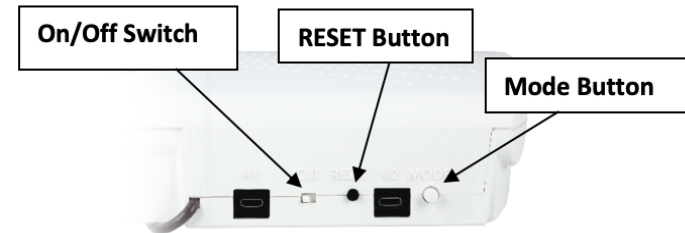


# PERS MXD-LTE Quick Install Guide

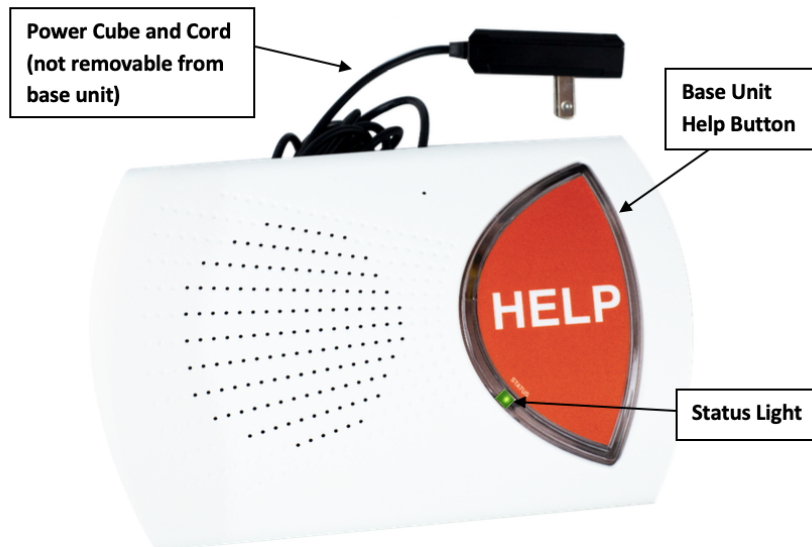
1. Plug the power cube into an AC outlet.



2. Find the power (On/Off) switch on the back of the unit (see picture below) and place it in the "I" position. The status light will begin to flash orange.



3. After a short time the status light will turn green and your MXD-LTE will announce, "System Ready."



4. Initiate your first call to the response center by pressing your Personal Help Button (PHB). When the response center answers the call, inform them you are just testing your new system.



Wrist Strap  
Model PHB



Pendant Model  
PHB



Customer Service: (877) 684-3581  
Open a Help Ticket: [help@simply-home.com](mailto:help@simply-home.com)