

MXD3G Quick Install Guide

Box Contents

1. MXD3G All in One Cellular PERS device
2. 7-inch Cellular Antenna
3. Personal Help Button (PHB)
4. This Quick Install Guide



1



2



or



3



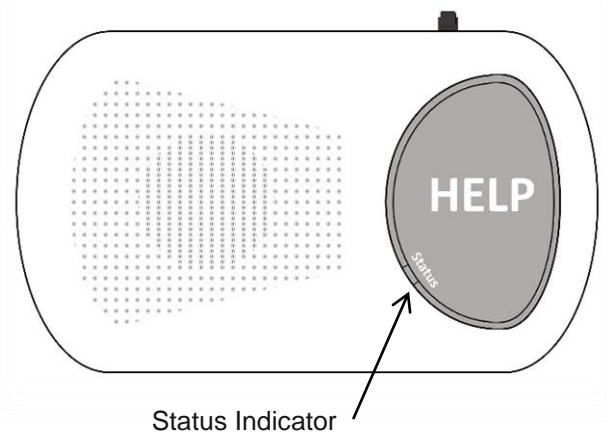
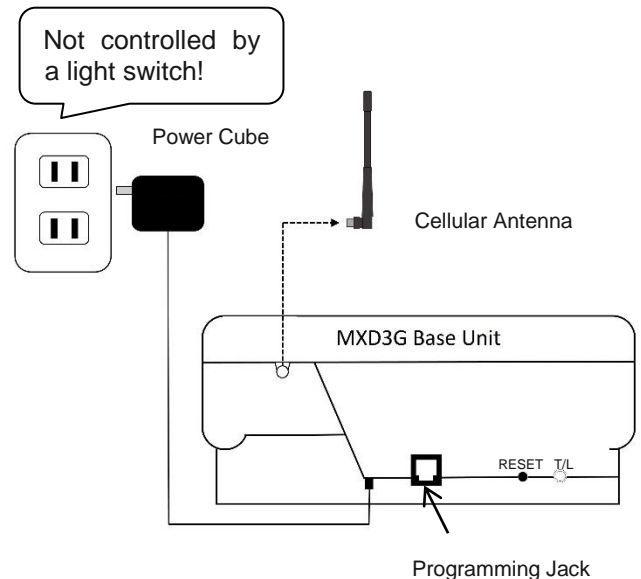
4

Installation Requirements

1. Make sure that device is registered.
2. **If you have ANY questions throughout this process, please contact your service provider.**

Installation Steps

1. Bring the antenna upright to a vertical position and tighten securely.
2. Plug the MXD3G power cube into an AC power outlet not controlled by a light switch.
3. The MXD3G will automatically turn on and announce "System Initializing."
4. Soon, the unit will speak the signal strength followed by either "System Ready" or "Insufficient Cell Service." *It is important that the signal strength be 2.5 bars or better. If the signal strength is not sufficient, the MXD3G may not activate with the cellular company or function properly. Please relocate the MXD3G to another location. Wait 30 seconds and press the **RESET** button. If the signal strength is not adequate, try another location and repeat.*
5. The **Status** light located on the left edge of the large **HELP** button will appear green, indicating the MXD3G is connected properly and the cellular radio has been activated with the cellular company.
6. Test the range of the PHB to make sure it works throughout the home and yard. *See **Testing the PHB (Range Test Mode)** section.*
7. Initiate your first call to the Response Center by pressing the PHB or the **HELP** button. *Contact your provider if the MXD3G does not connect.*



Testing the PHB (Range Test Mode)

1. Locate **T/L** button on the back of the MXD3G and press one time.
2. The MXD3G will announce “Range Test Mode.”
3. Immediately activate the PHB by pressing and holding down the button. A green light will illuminate on the PHB and a steady tone will sound from the MXD3G as long as it is detecting the PHB.
4. While activating the PHB, walk around all areas of the home and yard. Listen for gaps in the tone. *Gaps indicate “dead zones” where the PHB is not detected. If “dead zones” are detected, try relocating the MXD3G and/or contact your provider.*
5. To finish the Range Test, stop pressing the PHB. After the tone stops, press the black **RESET** button on the back of the MXD3G. The unit will announce the signal strength and “System Ready”.

Testing the MXD3G

The manufacturer recommends that the MXD3G be tested at least every 30 days. Most response centers welcome regular testing. Attendants are available 24 hours a day to help. Please check with your provider concerning their testing policy.

1. Press the PHB and wait for the response center attendant to speak to you through the MXD3G.
2. When the attendant answers, simply inform him/her that you are doing a test.

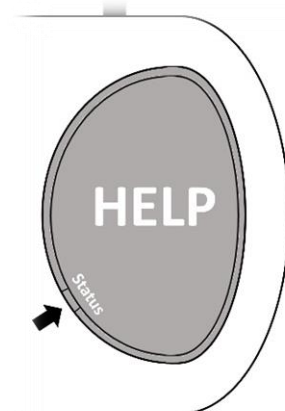
Troubleshooting (Status Light)

*The MXD3G speaks the system status each time the **RESET** button is pressed. The **Status** light displays the following light signals when operating.*

Behavior	Description
Steady Green	Unit is properly connected
Steady Red	Unit is currently trying to call the response center
Short Green Flash	AC power not available, unit is running on battery
Short Red Flash	Cellular connection problem or weak signal strength
Short Orange Flash	Cellular connection problem and AC power problem

When the MXD3G is in “Range Test” mode, the **Status** light will show:

Behavior	Description
Green Light	Base unit is receiving signal from the PHB
Steady Red	Base unit is NOT receiving signal from PHB



Turning off the MXD3G

The MXD3G automatically turns on when it is connected to AC power. When the MXD3G is removed from service, it is important to turn it off to preserve the battery.

1. Unplug the MXD3G from the AC outlet.
2. After the **Status** light begins to flash, press the **T/L** button on the back of the MXD3G three times.
3. The base unit will speak “Hold help to turn off.”
4. Press and hold the **HELP** button until the **Status** light stops blinking.

